

# Solar panel fixing systems

Kits for all domestic and commercial installations.

Ground mounted

Flat Roof

Pitched roof



# Ground mounted kits to suit the many variations of solar panel sizes

## Design Data.

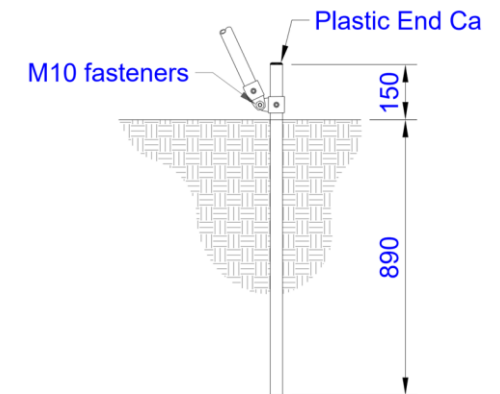
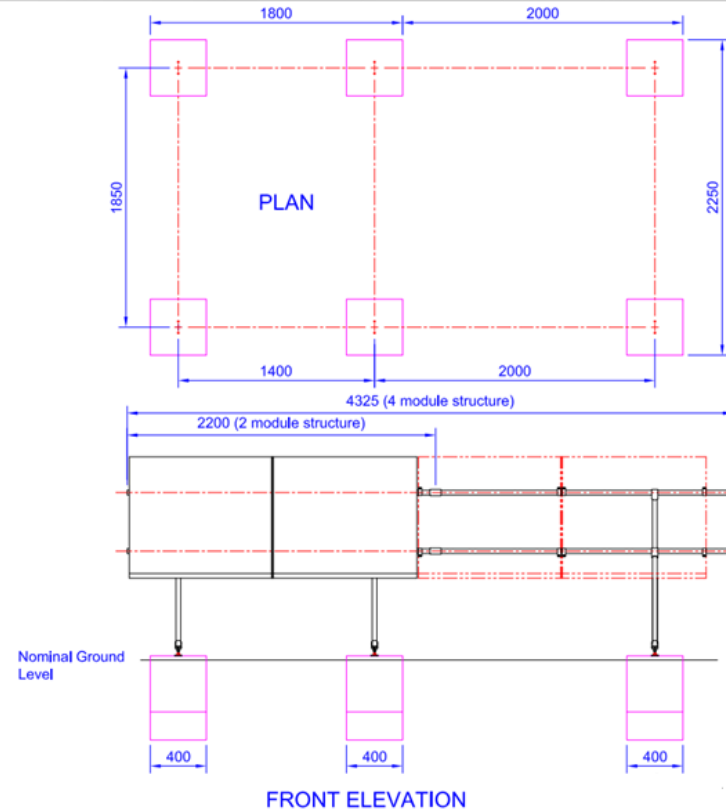
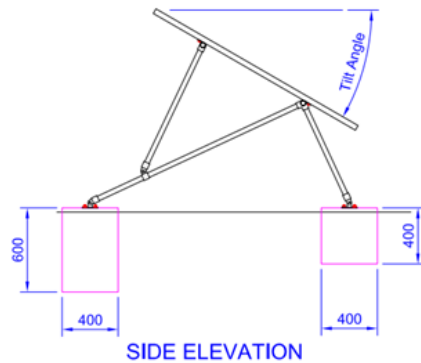
- Material: mild & Carbon steel
- Finish: Galvanised
- Fasteners: A4 Stainless steel
- Mod. fixings: A4 stainless steel
- Wind loading: 55metres per second

Suitable for solar panels up to a width of 1062mm  
Supplied c/w M6 & M8 module mounting fasteners.

Modular design allows for up to 12 modules per structure, using the 2 module extensions. The maximum number of modules per structure will depend upon the suitability of the ground level.

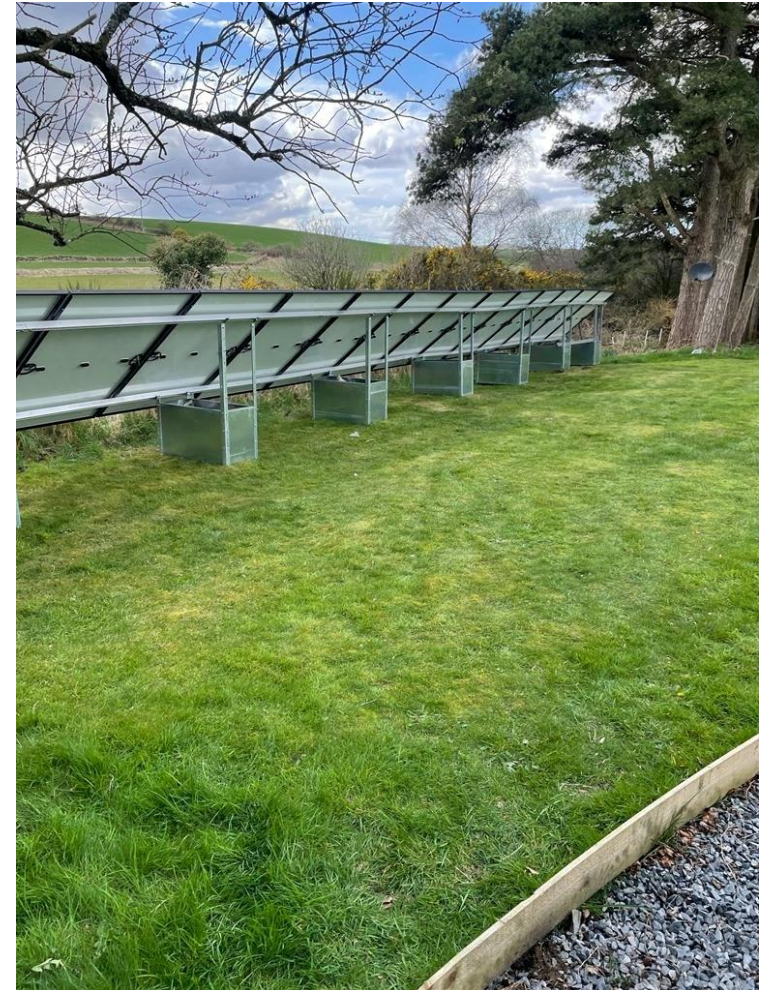
Concrete foundations (supplied by others) to grade C35 minimum. Minimum foundations shown, larger foundations may be required due to ground conditions.

Non foundation version also available.



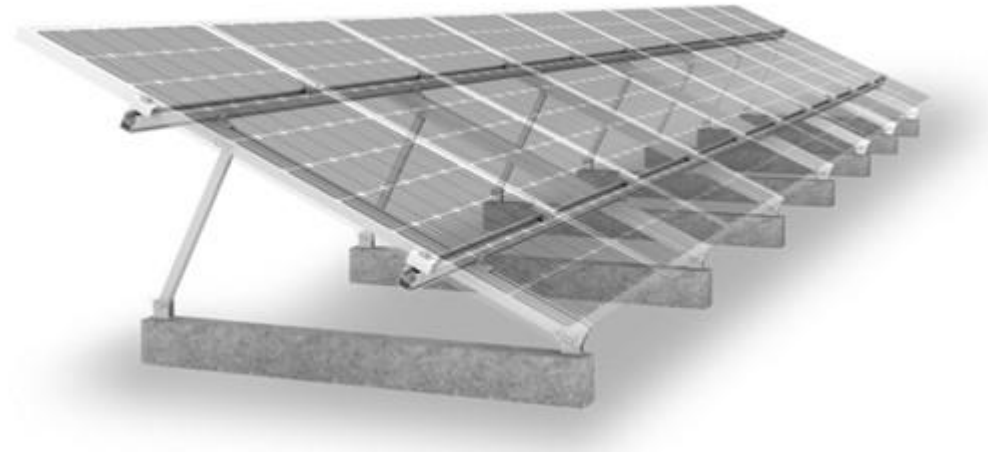
# Self assembly solar panel fixing kit

- This type of kit can be used on any terrain. Making the positioning of solar panels available to match the customers needs.
- Galvanized steel sets are back filled with pea shingle or sandbags.



# Flat surface solar mounting kits

- This type of solar fixing arrangement can be used for flat surfaces.
- This can be utilized onto concrete foundations or positioned above ground onto any flat surface
- Module dimensions: length 1386 – 2293 mm, width 950 – 1135 mm
- The inclination of the system is available either: 20, 25 or 30°
- Kit sizes; 2, 4, 6, 8, 10, 12 panel kits in portrait
- Landscape kits in 1, 2, or 3, module arrangements



## DBS solar panel fixing legs

- This product is attached onto individual solar panels.
- Can be used to permanently affixed with adjustable angle to match localized conditions



# Flat roof mounting kits

- This landscape orientation kit has been designed to position solar panels pointing towards the Sun's azimuth.
- Suited to a non-penetrable surface, using ballast weights to hold down solar panels



# Flat surface east to west solar panel kit

- This low-level kit can be assembled onto a flat roof
- Designed for roofs that have the sun aspect from east to west



# Metal roofs

- Trapezoidal roofs
- Mini rail kits to match roof covering
- Can be fitted onto pitched roof, or angled to  $10^\circ$  for flat roofs





# Any terrain flat surface solar panel fixing system

This product can be positioned onto any surface.

- Will not require any additional ballast
- Each section allowing the solar panel ample support at ends and center section
- Quick and easy to assemble
- Weight 25kg per section



# Pitched roof solar fixing kits



We offer kits for the following tile types.

- Slate
- Concrete or pantile
- Marley – clay tiles
- Plain tile
- Rafter
- Trapezoidal

